



the  
**B-VARC BULLETIN**

of

Brazos Valley Amateur Radio Club, Inc.  
Fort Bend County, Texas

Vol. 4, No. 6

June 1981

\*\*\*\*\*

Editor-in-Chief -- Stu Lamkin WB5IGG, 7401 Heilig, Houston TX 77074

Production Editors -- Ron Bolyard KA5GYG

Dick Hagerman WB5SRN

Associate Editors -- Larry Levy WD5DRB

David Kaszubshi WB3FYV

'ED note - See last page for additional associate editors, if any

\*\*\*\*\*

CALENDAR

B-VARC Public Service Net -- Mondays, 9 PM, 147.60/00 MHz  
Ft. Bend County RACES Net -- Tuesdays, 9 PM, 146.16/76 MHz.  
West Houston RACES Net -- Sundays, 8 PM, 146.07/67 MHz.

Next B-VARC -- Regular Membership Meeting -- June 11, 1981.  
Transmitter Hunt -- June 13, 1981.  
Board of Directors Meeting -- June 25, 1981.

Field Day -- June 27-28, 1981.  
ARRL West Gulf Division Convention -- July 24-26, 1981.

Houston Com-Vention 81 -- October 2-4, 1981.  
ARRL National Convention 1983 -- Dates and places in Houston to be announced.

\*\*\*\*\*

TEXAS VHF-FM SOCIETY

We suspect that not very many B-VARC members are familiar with the Texas VHF-FM Society, and so, believe it will be of interest to many to reproduce as pages 2, 3, and 4 of this issue, a mailing just received from that organization. The BULLETIN presents this solely for your information and does not necessarily recommend that you heed the sales pitch included therein, although you may be advised that Ye Olde Editor is a member of the Society!



May 22, 1981

Dear Club Officer:

Most amateurs these days have operated in the VHF/UHF-FM spectrum at some time or another, whether it is through the local club repeater or on some simplex frequency. But do you know who and how this was all started? Do you know where to go to get a repeater frequency coordinated? In Texas, you go to the Texas VHF-FM Society.

The Society is a large group of VHF/UHF-FM enthusiasts who got together during the infancy of the VHF-FM era, to plan the best way to use the VHF spectrum. It was this group and other similar groups across the acountry which developed the band plans we are now using. The information sheet attached will give more details on the Society and a linking system being built called TIRS.

- \* Enclosed you will find copies of the current issue of the NEWS, the Society's quarterly published newsletter. The NEWS provides technical information, comments from members and directors, happenings from around the state concerning new repeaters, and updates on old repeater systems. Every July, a directory is printed which lists all of the coordinated 10m, 6m, 2m, 220MHz, and 450MHz repeater frequencies in the state.

Now why are we telling you all of this? We are trying to inform the old members from the past, and new prospective members that the Texas VHF-FM Society is "alive and kickin".

Members may note an increase in activity from around the state. The links which were talked about for years, are now becoming a reality. Just recently Corpus Christi was added to the "system" this past winter and Houston is not far behind.

So make your application now to support the Texas VHF-FM Society and also to start receiving your copy of NEWS. Remember the July issue includes the 1981 Texas Repeater Directory and lots of technical articles.

- \* ED note -- A few copies will on hand at the June 11 meeting.

## What is the Texas VHF-FM Society ?



The Texas VHF—FM Society is a group of some 500 and more amateurs in Texas who have special interest in the design and operation of vhf and uhf repeaters. Springing from a small handful of devotees over 15 years ago, the Society now counts as its members, the licensees and/or technical leaders of nearly all the repeaters in Texas. As

such, it speaks with a unified voice when Texas must be heard at the FCC or ARRL on matters falling in the special interest areas of its members. The Society is affiliated with the American Radio Relay League and enjoys a special relationship with its past West Gulf Division Director, Roy Albright N5RA who is an Honorary Life Member of the Society.

The Society participates in all rulesmaking activities initiated by the FCC where the fundamental interest of its members are at stake, and was a major commentor in the early 1970's when Docket 18803 threatened to destroy repeater operation entirely. In fact, the threat posed by that docket served as the rallying point for many previously lukewarm members, and unified loyalties in the fight for reasonableness in Washington. The Society draws much of its strength from such unity and today boast of a level of common purpose not usually found in amateur radio clubs.

The Society initiated and coordinates repeater frequency usage throughout the state. In a continuing effort to prevent intercommunity friction, and to help the maximum numbers of amateurs to both operate and use repeaters, the Society educates, mediates, and arbitrates in all matters of frequency coordination brought to its attention. A committee of five zone coordinators handles matters on the local levels and reports frequency usage to a committee chairman who maintains overall knowledge and cognizance of statewide activities, and coordinates with his counterparts in adjoining states and Mexico. There has never been a serious or long-term frequency usage conflict in Texas, and the Society is proud of its role, and its repeater members, who have helped make the claim an honest one. The job will get increasingly more difficult as more amateurs try to force more repeaters into an increasingly more crowded spectrum, but the Society will redouble its efforts to maintain Texas' enviable record.

An ongoing project of the Society is the design and installation of the Texas Intercity Relay System (TIRS). That system, described more fully on the back of this page, seeks to enable communication over paths hundreds of miles long using equipment and frequencies normally thought of only in terms of local communication. When completed, TIRS will increase manifold the amateur's ability to provide disaster relief communication in Texas.

The Society sponsors two meetings each year. The winter meetings are usually all work; the summer meetings, called Conventions, are more recreational and social in nature. The major business of the Society is conducted by the members at these meetings, with an elected 9-man board of directors providing continuity between meetings. Four or five directors are elected each year at the summer convention to serve for staggered two-year terms, and the directors elect from their number the officers - President, Vice President, Secretary-Treasurer, Technical Coordinator, Frequency Coordinator, and Editor. Three directors serve in at-large capacities and often chair major committees. The Society maintains three important committees on a permanent basis - one for technical matters, one for publications, and one for frequency coordination. The publications committee, produces the quarterly Texas VHF—FM Society NEWS which is mailed to all members. Dues are currently only \$3.00 per year from August to August, not prorated. Won't you and your buddy join us? We know we're having fun, and we think we're doing some good.

## **T.I.R.S.**

### **What is the Texas Intercity Relay System ?**

The Texas Intercity Relay System (TIRS) is a network of UHF relay stations that will provide reliable communication along a path generally situated on the Texas Gulf Coast, along a string of backbone cities farther inland, and terminating in the largest Texas cities where disaster relief and coordination usually originates. The purpose of the system is to provide highly reliable communication during and after weather disasters when the telephone system is likely to be inoperative and other radio services are either fully loaded or ineffective because of weather-related propagation disturbances.

The system will be designed, installed, maintained and operated by amateurs who are members of the Texas VHF-FM Society. Installation and maintenance will normally be performed by interested amateurs or clubs in towns and cities close to each station location. When severe weather threatens, the network will be established, under amateur control, for the exclusive use of Civil Defense or other public officials involved in requesting, arranging, or providing needed relief to a stricken area. Because the system will operate in the low end of the 450-MHz amateur band and will employ directional antennas, it will not be a system of linked repeaters so much as it will be a network of chained auxiliary link stations.

The two ends of any established path will be configured so that, depending on need, communication can be provided to the disaster relief officials via telephone, a direct radio link, or through a local 2-meter repeater. Voice and AFSK teletype signaling will be used at various times depending on the mission to be accomplished. One common situation would involve terminating the network in a local ( or portable temporary ) repeater at the end where the emergency exists, and in a local phone patch at the end where relief activities are being coordinated.

The system will be activated on a regular basis for drills to establish system integrity, to pass traffic between the many volunteers involved in keeping the system operating, and to coordinate official activities of the Texas VHF-FM Society. The system will be activated at times, to provide the means to interconnect two distant local repeaters for nonspecific recreational use, to test or demonstrate the system's capacity.

Local clubs or groups of individuals will normally provide the antennas and rf equipment required. The Society will provide proven designs and circuit boards at cost, and might (depending on the state of the treasury) provide some or all of the integrated circuits required for the control equipment. Ownership of the equipment will remain with the group sponsoring its installation and maintenance, although at some remote sites it may be necessary for the Society to purchase the station equipment.

Our next step, as Society members, is to get on with the installation and testing of more stations in the network. Please help. If you are involved in the construction of your town's station, good! If you aren't involved and don't want to help solder, then start talking about TIRS. The more Texas hams that know about TIRS, the quicker it will be an operational reality. If you would like to donate equipment to the TIRS system, contact the Technical Coordinator or if you wish to donate money, send it to the Secretary-Treasurer and mark it for TIRS FUND.

# HELP!

## THE BULLETIN NEEDS 3 REPORTERS

Ye Olde Editor has developed some time problems which may continue indefinitely, and needs some help to improve coverage of material in the BULLETIN that is and will be of interest to Club members. That help can be provided by:

1. One reporter to needle and arm-twist officers and committee chairmen for their contributions, and when necessary, to prepare or condense such material for publication.
2. One reporter to peruse publications and newsletters of other ham clubs, and condense for publication in the BULLETIN any items of interest to B-VARC.
3. One reporter to gather special feature information, such as, license upgrades, new calls, changes in local repeaters, items for the Interesting Paper Shelf, etc.

The pay is good -- the approbation of Club members, and the gutsy feeling of pride in helping with one of the Club's most valuable assets!

Ye Olde Editor will be pleased to receive applications from all who might like to join the BULLETIN team.

FROM DAVID WB3FYV

STU ---

I WOULD REALLY APPRECIATE IT IF YOU COULD PUT THIS IN THE NEXT B-VARC NEWSLETTER. IF YOU HAVE SPACE, PLEASE LEAVE IT IN FOR THE NEXT TWO OR THREE EDITIONS. I REALLY DON'T EXPECT TO SEE THIS RIG AGAIN BUT AT LEAST I CAN TRY. THERE IS NO HOPE FOR MY STEREC AND CAMERA TRIPOD BUT THIS H.T. IS UNIQUE ENOUGH TO LOOK FOR. I LISTED AS MANY MODIFICATIONS AS I COULD REMEMBER. HOPEFULLY, IT WILL BE OF NO USE TO THE ONE WHO TOOK IT AND IT WILL LAND IN A FLEA MARKET OR PAWN SHOP. THIS WON'T REQUIRE A MAJOR SEARCH; JUST IF SOMEONE HAPPENS TO SEE IT HE WILL LET ME KNOW. I WILL HANDLE THE DETAILS.

THANKS & 73,

/s/ DAVID J. KASZUBSKI WB3FYV

ED Note - His notice is reproduced on page 6.

BE ON THE LOOKOUT FOR.

ONE) STANDARD MODEL SR-C-146C

- FIVE CHANNEL 2 METER HANDIE - TALKIE

CH. 1) 146.76 - .16 SOLDERED IN PLACE

CH. 2) 146.52 - .52 SOLDERED IN PLACE

CH. 3) 147.33 - .93 PLUG IN

CH. 4) 146.88 - .28 PLUG IN

CH. 5) 146.94 - .34 PLUG IN

[ CHANNEL 1 & 2 NORMALLY 146.94-.34 , 146.94-.94 ]  
SOLDERED IN BY THE FACTORY

BNC ANTENNA CONNECTOR

(2) RIGHT ANGLE BNC ADAPTERS W/ 19" WHIP

SMALL TOUCH-TONE PAD ON BACK CASE

MODEL CES # 215 (INOPERATIONAL)

BLACK LEATHER CASE , CALL LETTERS ON INSIDE.

EXTERNAL MICROPHONE

(10) GE. NICADS IN HOLDER

SERIAL NUMBER

U290533

STOLEN FROM THE APARTMENT OF WB3FYV  
THE MORNING OF MAY 11, 1981.

ANY INFORMATION APPRECIATED AND HELD IN  
STRICT CONFIDENCE.

DAVID KASZUBSKI

HOME 988-8991

WB3 FYV

WORK 678-9449

9001 TOWNPARK DR #186

HOUSTON , TX . 77036

A TRICKLE CHARGER TO TICKLE YOUR FANCY --- NO SHOCKS By Larry Levy WD5DRB

Not a year goes by without some magazine publishing a design for a trickle charger. Now BVARC Bulletin can lead the pack. I built a charger from the following schematic (Translation: If I can, ANYONE can). It calls for few parts, most found in even only a good junk box.

Circuit: A fullwave center-tap rectifier design is the basic circuit.

A SPST switch is used to select between a full charge (about 1 amp) or trickle charge (50 mA). An LED is used to indicate that the battery is being charged.

Operation: Connect pos (+) and neg (-) output leads from charger to automobile battery terminals. Plug in AC cord and let'r smoke.

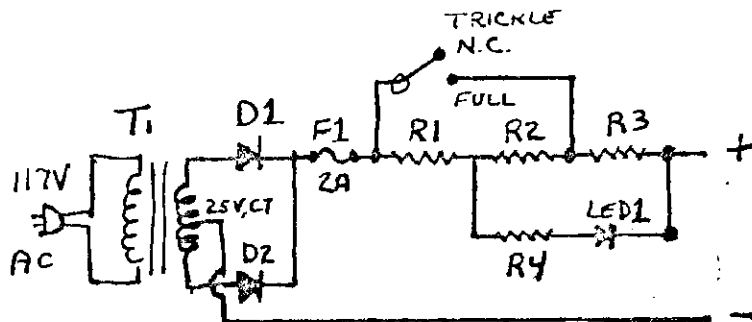
PARTS LIST

- |                              |                              |
|------------------------------|------------------------------|
| D1, D2-- 3 A, 50-V diode     | R1 ---22 ohm-2W resistor     |
| F1 --- 2 A fuse and holder   | R2 ---15 ohm-2W resistor     |
| LED1 ---Red light LED        | R3 ---1 ohm-10 Watt resistor |
| S1 --- SPST switch           | R4 ---47 ohm 1/2 W resistor  |
| T1---25 V 2 A CT transformer |                              |

MISC: Box, linecord, output leads, grommets, mounting hardware.

REVIEW SAFE CONSTRUCTION PRACTICES IN ARRL HANDBOOK---remember the title

NO Shocks.



Advertisement

MADISON ELECTRONIC SUPPLY

1503 McKinney

Houston TX 77010

Fone 658-0268

H O T S P E C I A L S

- |         |                  |                           |                 |
|---------|------------------|---------------------------|-----------------|
| KENWOOD | TS-180S - \$899. | TS520SE - \$549.          | R-1000 - \$449. |
|         | TR-9000 - \$449. |                           |                 |
| IICM    | IC-251A - \$599. | IC-255A - \$339. with TTM |                 |
| SWAN    | 102EXA - \$999.  |                           |                 |

Kenwood service manuals and all line accessories available.

MINUTES OF LAST MEMBERSHIP MEETING

The following minutes of the May, 1981 regular membership meeting were submitted by the Club Secretary:

The meeting was brought to order by Club President Richard Shankle N5KV with a standing roll call. Minutes of the April meeting were approved as published in the May, 1981 B-VARC BULLETIN. Club Treasurer Steve Gottlieb WA5OEN gave the Treasurer's Report which showed a balance of cash in the bank of \$530.71, and the report was accepted.

In the absence of Committee Chairman Henry Freedenberg N5HF, Steve WA5OEN gave a status report on Field Day planning. He started the circularization of a list to identify probable participants and equipment that will be on hand.

Bob Spradling W5UBD announced that IRS has finally designated the Club as a tax-exempt organization. This means that any donations to the Club of money or equipment qualify as deductions on federal income tax returns of the donors.

Wade Eilers WN5TEN announced that, instead of the usual July regular membership meeting, there will be a picnic on Saturday, July 11 at 1070 Corporate Drive. He will chair the arrangements committee, and Larry Charson N5BYJ volunteered to assist him.

Following Wade's introduction of the request of a daughter of one of the Club's members for sponsorship by the Club in the upcoming finals of the Texas Miss Teenage Pageant, a motion was made to so do. There followed considerable discussion of the pros and cons of such action by the Club, and motion did not pass.

Bob W5UBD made a motion that the Club donate \$100. of financial participation in staging Houston Com-Vention 1981. After considerable discussion, this motion was passed.

David Kaszubski WB3FYV reported that he had lost a piece of ham gear in a burglary of his apartment. He was invited to submit an appropriate notice for publication in the B-VARC BULLETIN.

The business portion of the meeting was then adjourned and Dick Bigelow WD5CTQ gave an interesting, informative, and illustrated talk on OSCAR operating and a look at what's coming in the AMSAT program.

- Phil Steinbach WB5SUR, Secretary

---

Let's not forget --

That B-VARC gets \$1.50 if you renew your ARRL membership through the Club; also for any new membership handled through the Club. Call our Treasurer, Steve Gottlieb WA5OEN, for details if you're not already familiar with them.

---



NEW MEMBERS

Y'all welcome the following new members of the Club. Two of them joined at the April transmitter hunt, and the other two came aboard at the May membership meeting. They, together with others who've joined us this year, have a red and blue border on their name badges. Introduce yourself and make'em glad to be with us!



- WBØAPS Russ Heimerson 988-9659  
8701 So. Braeswood, #173 Houston 77031
- W5TMH Russ Seto 373-0637 789-6310  
14610 Dale Hollow Lane Cypress 77429
- KB5TC Jim Aman 447-9542 680-9098  
P. O. Box 38596 Houston 77088
- WB5ZOX Neal Irvin 491-0195  
16707 Ribbon Ridge Sugar Land 77478

We suggest you cut out the above list of new members and add it to Page 6B of your Roster.

And while you're on Page 6B, change Greg Fifield's address to 2022 No. Lobdell, Baton Rouge LA 70806.

---

---

NET CONTROL OPERATOR SCHEDULE, JUNE - JULY, 1981

6/1 WA5OEN	6/15 W5UBD	6/29 WD5GTQ	7/13 WA5OEN	7/27 W5UBD.
6/8 WB5SUR	6/22 6/22 N5HF	7/6 WD5HEH	7/20 WB5SUR	

---

---

<u>area 2-METER REPEATER UPDATE</u>	Add:	144.65 in	145.25 out	Pasadena
		144.87	145.47	Houston
	Delete:	144.75	145.35	Houston NW
		144.87	145.47	Dickinson
		147.225	147.825	Houston

---

---

JUNE MEMBERSHIP MEETING

At the membership meeting on June 11 there will be shown a video tape documentary that just might arouse more interest in civil defense and encourage more participation by Club members in Greater Houston and the surrounding areas. It will be put on by Bob Spradling W5URD, and here's what he says about it:

"Our government is convinced that no one will survive a nuclear war and that that threat alone will deter such action. This is why we have no organized in depth civil defense plan.

The Russians, however, believe otherwise, and have developed their program to a high state of readiness, wherein every individual citizen is deeply and personally involved. They feel that an intact citizenry and economy are necessary to win a nuclear war.

If you want to get a chilled spine, attend the June meeting of B-VARC and see the 35-minute video tape entitled not only "Soviet Civil Defense and U. S. Security" but also "America Held Hostage", with facts and figures documented."

Ed. Note - If you don't happen to want a "chilled spine", as Bob puts it, you'd better come anyway and learn something that not more than a figurative handful of people in this country are aware of. It will be a sobering experience!

\*\*\*\*\*

In addition, there doubtless will be more concerning Field Day plans at this meeting.

Also, there will be tickets for our July 11 picnic which will take the place of our July membership meeting.

---

FROM THE PRESIDENT

If you received this newsletter, then you are a member of Brazos Valley Amateur Radio Club. Look at what B-VARC has to offer:

- A well-rounded radio club, not just a special interest club
- the best newsletter published in Houston by a ham club
- Short, efficient business meetings with an interesting topic that follows
- Family activities as well as ham related activities
- One of the most active club nets in Houston
- A sister club that we can share ideas with

Where else can you get all of this and much more for only \$5 a year? Do a fellow ham a favor and put him on to this gold mine. See you at the meeting.

VP QSO  
JUNE/JULY 1981

The magic number is 100. Our membership now is at 80, and the question now is how to get the other twenty. Eighty members! Do you realize that if every member who lived in the Houston area showed up at every meeting we'd have to be looking for a larger hall? And what about those of us who do show up regularly--the 30 or 40 who are there at every meeting? Somewhere out there, there are 40 or 50 of you who don't come to meetings. Discounting the ten or so who live all over this grand USA, then there are between 30 and 40 of you who don't show. Why? If there is something about the Club that keeps you away--let me know. Call or write at the address below and BITCH!

Anyway, the way to 100 is activities! Let's get some new people into the act. Looking through the roster, I see lots of names that I never hear or see except at a Club meeting. C'mon gang, participate. Head a committee, start a project--GO FOR IT! If we're really the most active Club in South Texas as we're led to believe, then let's make it the most active in Texas--the USA? The magic number is 100. With 3000 hams in Houston and surrounding area, we'll have 3%, 150 is 5% and 300 is 10%. CANDO? Only with everyone's help, participation and hard work.

  
73, Dick WD5CTQ

% Sperry-Sun, Inc.  
P. O. Box 69  
Sugar Land, TX 77478  
Phone: 490-1161

---

More Associate Editors -- Dick Bigelow WD5CTQ, Richard Shankle N5KV, and  
Phil Steinbach WB5SUR

---

THOUGHT  
FOR  
THE  
DAY

Life is very simple! It merely consists of learning how to accept the impossible, how to do without the indispensable, how to endure the insupportable.

- Kathleen Norris

---

B-VARC BULLETIN  
7401 Heilig  
Houston TX 77074

FIRST CLASS MAIL

