

B-VARC

C
O
L
L
E
C
T
I
O
N

The Monthly Publication of the
BRAZOS VALLEY AMATEUR RADIO CLUB, INC.
Fort Bend and Harris Counties, Texas

Editor-in-Chief - Stu Lamkin WB5IGG

Production Editors - Sallie Hanus KA5RXW
Allan Hanus KA5RXX
Lloyd Phelps WD5HEH



**AFFILIATED
CLUB**

**PUBLICATION DEADLINE:
THE THIRD THURSDAY OF EACH MONTH**

Volume 7, No. 6

June, 1984

BOB SPRADLING W5UBD, NOW A SILENT KEY

Stu Lamkin WB5IGG

Bob's great heart, after a valiant fight that began with a multiple bypass eight months ago, finally went to rest shortly after 6 AM last Friday, June 1 at his home. The 8-month period was marked by a series of recurring and intermittent problems, resulting in a deteriorating condition which worsened the last few weeks. Through it all he never lost the conviction that he would eventually beat the problem. His spirit was more than willing but his body would not cooperate.

His choice was cremation and he told Mona, his love, that when his time came, he would like to have Tom Cole WB5MXX to officiate at a memorial service for him. This service will be held in the Bowles Chapel in Southwest Memorial Hospital at 2 PM on Friday, June 8. Tom has asked that we enter the Chapel by its outside door rather than through the hospital.

Bob is survived by his wife Mona, his step-son Donald Cox of Burbank, CA, and four grandchildren; also a brother-in-law in Homewood, IL.

Those of us who were close enough to Bob to call him friend will miss him with much sadness. B-VARC members will remember him with a great deal of admiration and gratitude for the tremendous job he did as Club President in 1980, starting the Club on the upward movement which has resulted in B-VARC becoming an outstanding general service ham club.

In recognition of that outstanding performance and service to B-VARC, he was awarded the Order of the Key, the first such recipient. He will be greatly missed by all of us.

The family has requested that any individual memorials to him be made in the form of a gift to a favorite charity.

YOUR PRESIDENT SAYS

One of the goals of this year's officers was to establish BVARC as a Special Service Club. We as a group fulfilled our part and completed an excellent document that would make any other club envious. However, it appears that our application will be delayed for a little longer since we have been unable to determine just where in the ARRL works our document is delayed. We are proceeding with our research to determine our status. Hopefully, next month I will be able to give the membership a more favorable report on the status. Meanwhile, I ask that those members who supplied pictures, documents and any other pertinent information to our application, please resubmit them to Harold Parker, ND5F, so that he can commence putting together another application in case that the ARRL is unable to locate the original.

I wish to thank those members who participated in the March of Dimes Walk-a-thon. This year it was enjoyable and the weather was very cooperative. I also wish to thank the program committee for an excellent program last meeting. I was unaware of the presence of a SWAT team in Missouri City until that night.

I hope that all members will take the time to come to our Saturday breakfasts at the Holiday Inn. We usually gather around 8:30 AM and enjoy the companionship of all our friends. Please feel free to come and participate.

You will find enclosed an additional insert this month containing the preamble for the Southwest Area ARES Net Control Operators and the Southwest Area ARES MART list.

CUL and 73's for now and I will see everyone at the next meeting.

Ron, KA5GYG

VP-QSO

It was really great to see everyone at the Sharpstown Mall for our annual Mothers Day Event and we all appreciate the help that so many of the membership furnished. We solicited Mothers Day messages from the public that was in the mall. Our display had several rigs set up and operating from the center of the mall area and we talked with many who were interested in becoming amateurs. We should send a special thanks to our traffic handlers whose efforts continued long after the display and antennas were taken down and put in storage for next year. I hope that everyone who was there will make a list of the things that will help improve the event next year.

Saturday the 19th was Armed Forces Day and I was able to work several of the Military Radio Stations with the cross-band contacts and copied the message from the Secretary of Defense. All the operators that I worked seemed to appreciate the calls and told me that they were very busy with calls from Amateurs from all across the country. I had a lot of fun with it and the Military Operators seemed to be enjoying the event too. I hope that you will join in with these operations next year. They always work most all of the bands on both cw and phone.

The National Weather Service held their annual one-day Hurricane Awareness Seminar at the Hobby Hilton and several B-VARC members were there. Everyone present seemed

to think that the program and speakers were very good. The program covered Hurricane Awareness and the speakers discussed their forecasting processes, the new "PIES", Public Information Emergency System reports that will be broadcast on 161.64 MHz for the first time this season and the use of hurricane probabilities in helping the local officials in making major decisions. The seminar was very well planned and presented and I would encourage each of you to make plans to attend the presentation next year.

Our annual Field Day Event is on June 23 and 24 and we sure hope that each of you will volunteer some of your time and equipment to help make it a success again this year. We will be setting up the equipment on Saturday morning and we will operate until noon on Sunday. It will be a great opportunity to operate some nice rigs and spend some time on the air. We will be operating both cw and phone, so make your plans to spend some time with us. Please call Garry, KA2GRS at 530-0905 to volunteer yourselves and your equipment for a great weekend.

Vacation time is here and I know everyone is looking forward to putting their rigs and families in the car and heading out on vacation. I hope that you will plan your vacations so you won't miss our membership meeting on the 14th. Please drive very carefully on your vacations and have a safe and enjoyable summer.

73's
Harold, ND5F

MINUTES OF THE BOARD OF DIRECTORS MEETING MAY 3, 1984

In the absence of Ron, KA5GYG, who was away on business, Harold, ND5F called the meeting to order at 8:00 PM. Present were Ken, KA5DKS, Harold, ND5F, Paul, N5FQS, Lloyd, WD5HEH, Mark, KA5NYI, Sallie, KA5RXW and Carter, KD5XX.

Paul, N5FQS discussed the upcoming pre-mother's day event at Sharpstown Mall. All participants will assemble at 8:00 AM Saturday at the location to erect antennas and hook up equipment. This will be preceded by breakfast at Denny's at 7:00 AM.

Mark, KA5NYI then distributed copies of the audit of the BVARC books. A copy is printed elsewhere in the bulletin. Mark, KA5NYI, discussed with the Board the items in the audit. Lloyd, WD5HEH, made the motion which was seconded by Carter, KD5XX, that the audit be approved as presented and upon a vote, the motion carried.

Harold, ND5F commented that Field Day is fast approaching.

Lloyd, WD5HEH, spoke of programs for the general membership meetings in the next few months. The May program will be the SWAT Team demonstration. Ray Wangler, W5EDZ, West Gulf Division Director, has a conflict in his schedule and can not be with us for the June meeting.

Harold, ND5F, reported that the application for the designation of Special Service Club is nowhere to be found! It is lost. We have a Post Office Return Receipt for the first stop on the way to Newington but the application can not be traced from there.

Lloyd, WD5HEH, made the motion that the meeting adjourn, Carter, KD5XX seconded the motion and the motion carried. The meeting did adjourn at 8:30 PM.

MINUTES OF THE GENERAL MEMBERSHIP MEETING MAY 10, 1984

The membership meeting was called to order at 7:37 PM by Ron Bolyard, KA5GYG. Sitting roll call held by all due to the small confines of the temporary meeting room.

Ron apologized for announcing that John and Betty Hill were the first members of the club to be married, and corrected his statement by saying that Henry and Linda were the first to be married and that they are the proud parents of a baby girl now.

84 msgs were handled by the Sharpstown Mall Mothers Day activity.

Wade Eilers, WN5TEN reported on the training classes. All students finished with the Tech/General Course.

Don Busick will talk about new equipment to the Club in June.

Stu, WB5IGG received a mailing from ARRL about Club Insurance. This will be discussed at the next Board of Directors meeting.

Harold, ND5F talked about the SSC application. Our application has basically been lost somewhere. Steve Ray said that he mailed the application to Art Ross, but Art has not received the application. Somewhere between Steve and Art the application has been lost.

Lloyd, WD5HEH talked about the possibility of some sort of computer demonstration at the upcoming convention in October in Houston.

CW Code Net to be held on 21.165 Wednesday nights at 8:00 PM for all interested.

Jay Maynard, K5ZC talked about the Packet Radio Bulletin Board System he operates. The phone number is 530-8596 and operates at 300 Baud only.

Meeting adjourned at 8:12 PM.

The Missouri City SWAT Team gave a very informative presentation about their training and some of the weapons used in their operations.

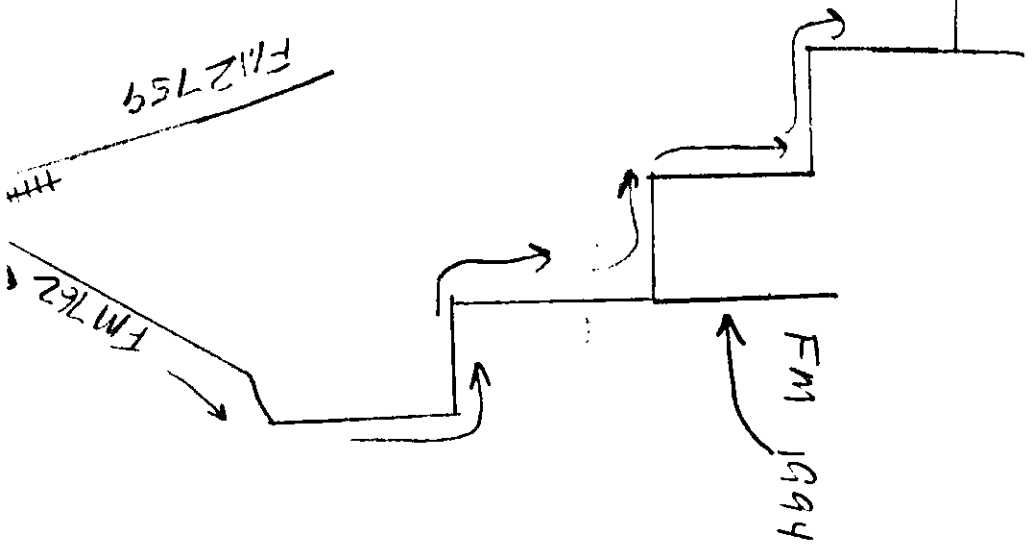
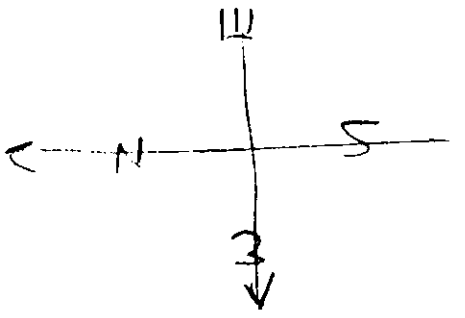
FROM THE PROGRAM COMMITTEE

At the June 14 General Membership meeting, Don Busick, K5AAD, from Madison Electronics Supply will update the Club on what we can expect from the manufacturers in the area of new equipment. This has always been a fun and interesting presentation, so be sure to be there!

For anyone interested, N5BYJ, Larry Charson's new address is: 4201 Crest Heights, Baltimore, MD 21215-1425.

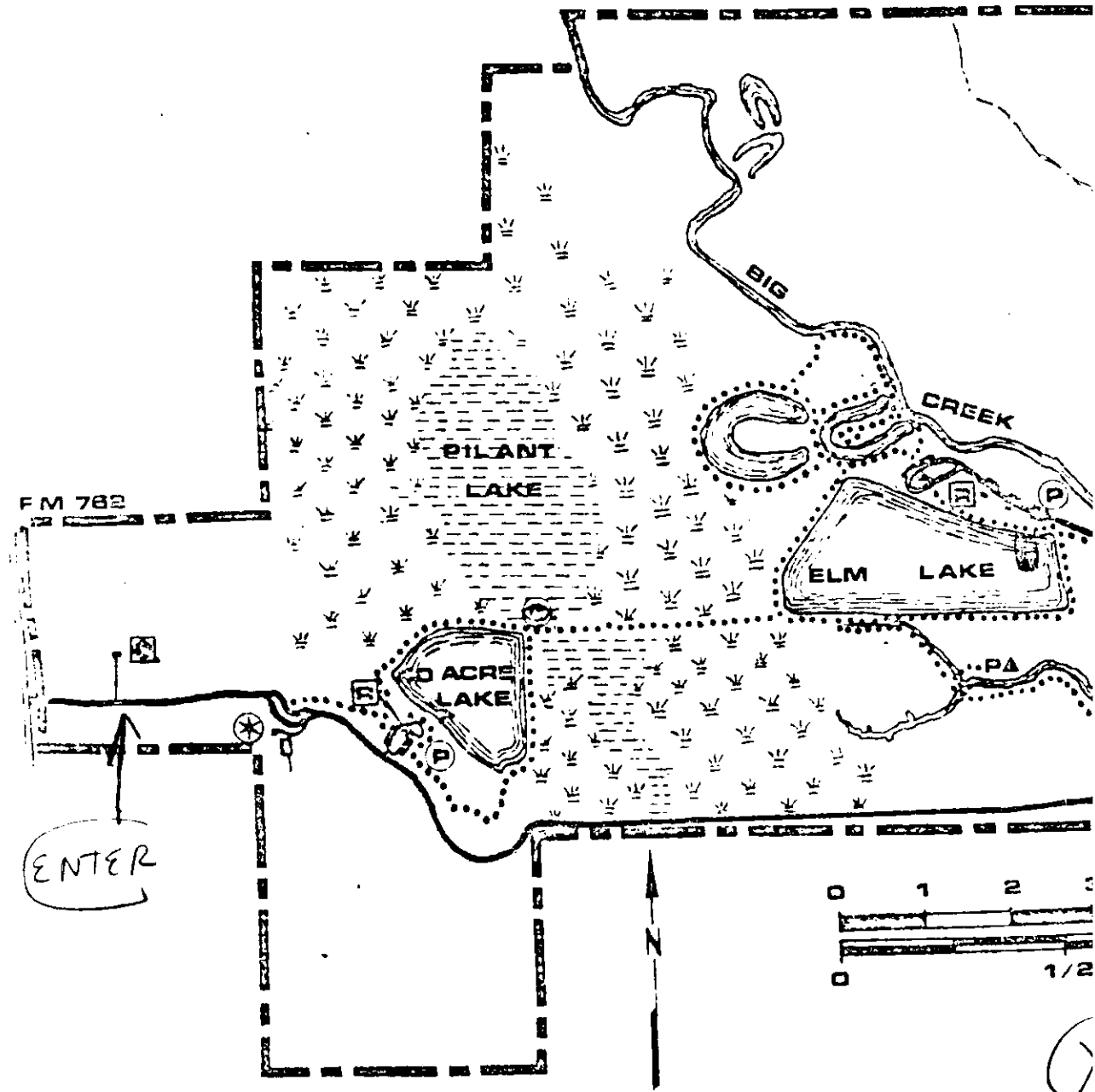
BRASS PARK
BEND
STATE

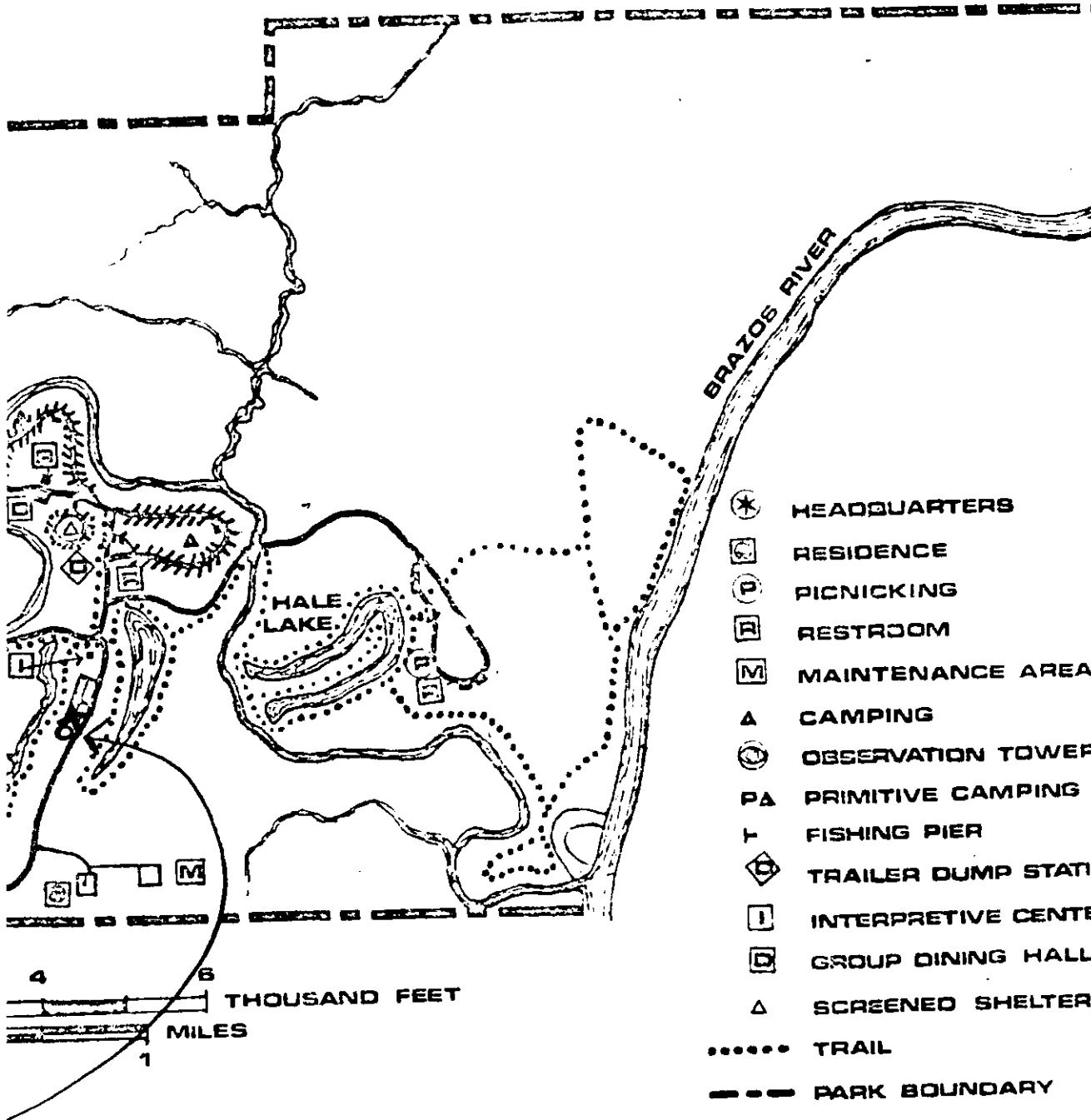
SEE PARK MAP
FOR FTD SITE



FM 762 (762 + 2759 make it

PARK ENTRANCE IS ON





IS OUR SITE

major cross road section)

↑ ALL ROAD TRUCK JUST PASSED LIGHT

← RICHMOND

FM 762

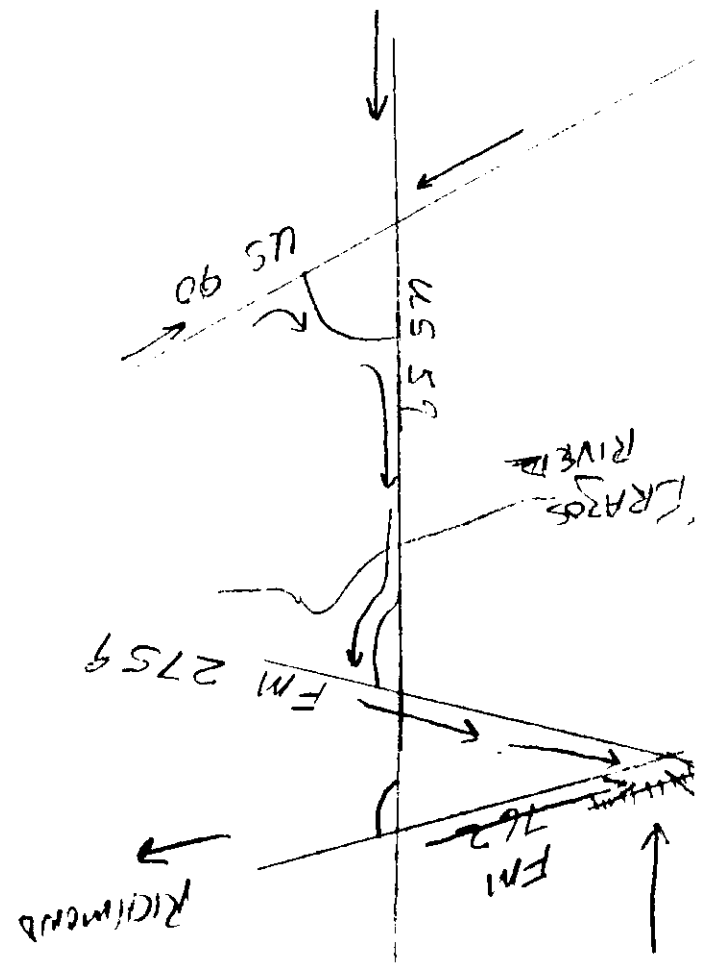
FM 2759

LARSON RIVER

US 59

US 90

11/21/57



**** NET CONTROL SCHEDULE ****

2M BVARC Public Service Net Control Schedule
6/4 KA2GRS 6/11 ND5E 6/18 N5GTF 6/25 KD5GM

10M BVARC Rag Chew Net Control Schedule
6/6 KA5GYG 6/13 WB5IGG 6/20 K5EST 6/27 N5HF

SW AREA ARES

NCS Assignments

June 4	N5AER	Bob Haase	June 25	KD5JC	Ed Truitt
June 11	N5BHQ	Jon Hill	July 2	WD5HEH	Lloyd Phelps
June 18	WA5RBD	Steve Schuster	July 9	WB5SRN	Dick Hagerman

If you are unable to make your scheduled night, please inform one of the other NCS operators on the schedule to substitute for you. Captains are encouraged to have their MART members to also handle NCS operations. If all else fails, please feel free to contact Ed Harwell or Ron Bolyard for assistance.

73's
Ron KA5GYG

MADISON ELECTRONICS SUPPLY

1508 McKinney Houston, Tx 77010 Phone 658-0268

TO ALL HAMS --- We carry in stock or can order for you any item you want from any major manufacturer of ham gear, including all line accessories and Kenwood service manuals.

Call me, identify yourself and wants, and I'll quote our HOT SPECIAL prices available to you.

73, Don Busick, K5AAD

B - S - S MART

FOR SALE OR TRADE

1. HEATH SB-401 transmitter, SSB 100W with microphone.
2. HEATH HG-10B VFO, 2 - 80M.
3. ICOM RM-2, digital controller.
4. HEATH "Mohican", solid state general coverage receiver, 10 - 80M, portable, battery powered.
5. COLLINS 390-A general coverage receiver, 500KC - 31MHz, digital mechanical tuning, crystal and mechanical filters.

Bob Grady N5DQR
work 977-0202 home 781-5809

Volume 7, No. 6

FREE GIVEAWAY

8 ft. long, 2-lamp fluorescent ceiling light fixture, commercial grade.

Stu Lamkin WB5IGG
777-3345

FOR SALE

HW-16 & HG10 VFO \$125
SB-300 Needs work, \$75
GENERAL COVERAGE RECEIVER, NC101, \$50
Antennas galore, 80 foot tower, Rotors, etc. Inquire
Antenna work done
Wanted: Remote antenna switch

Muir Robinson, W8QK
776-3067

FOR SALE OR TRADE

BOLEX H-8, 8mm Movie Camera with turret mounted YVAR f/1.9, 13mm normal and YVAR f/2.8, 36 mm telephoto lenses. This is the 16mm model body and will take 100 foot rolls of 8mm film. It has speeds from 8 fps to 64 fps, a frame counter and has wind-up, motor or manual drive systems.

Harold Parker, ND5F
464-9044

B-VARC Public Service Honor Roll

- A. Houston Marathon: January 15, 1984
- B. Bayou City Fun Run: March 24, 1984
- C. Houston Festival: March 24, 1984
- D. Southwest Wheelchair Athletic Association: April 7 & 8, 1984
- E. Bellaire Fun Run: April 8, 1984
- F. Reeking Regatta: April 14, 1984
- G. Rainbow Festival: April 14 & 15, 1984
- H. Fleet Feet Fun Run: April 28, 1984
- I. March of Dimes Walk: April 29, 1984
- J. Sharpstown Mall: May 5, 1984

Chris Armatta, N5GQK	A,B	Sallie Hanus, KA5RXW	E
Mike Armatta, N5APC	A,B	Ed Harwell, W5WVX	I,J
Pat Armatta, N5GIK	B	George Jolly, ND5E	J
Carter Beghtol, KD5XX	E	Stu Lamkin, WB5IGG	A,E,H,I,J
A.J. Blackwell, WB5YLB	E	Vic Larocca, K5KNH	J
Ron Bolyard, KA5GYG	I,J	Larry Levy, WD5DRB	E
Paul Brooks, N5FQS	B,D,E,H,J	Garry Maynard, KA2GRS	D,F,H,I,J
Henry Freedenberg, N5HF	A,J	Jay Maynard, K5ZC	A,C
Linda Freedenberg	J	Kaye Maynard, KA2GRW	J
Mel Godbold, KD5YA	J	Ken McAninch, KA5DKS	E,H,J
Steve Gottlieb, WA5OEN	E,I,J	Harold Parker, ND5F	A,B,E,F,H,I,J
Bob Haase, N5AER	J	Lloyd Phelps, WD5HEH	E,I
Dick Hagerman, WB5SRN	A,B,C,D,E,F,G,H,I	Muir Robinson, W8QK	J
Allan Hanus, KA5RXX	E,I,J	Ed Truitt, KD5JC	A,I

At long last a CW NET !!!

Anyone interested in sharpening their fist should make a point to check into the NEW B-VARC Slow Speed CW Net each Wednesday evening at 8:00 P.M. at 21.165 MHZ. The net coordinator is Vance Peterson, N5FLQ. This is a directed net and everyone is invited to participate. The net had met twice at this writing, 5/16 and 5/23, and appears to have generated considerable interest. The format of the net is check-ins, club news, comments, fills, and rag chew. Listen to the B-VARC Public Service Net each Monday night at 9:00 P.M. for any changes in meeting time, day, or frequency.

SHARPSTOWN MALL EVENT

B-VARC's annual Mother's Day message event was held in Sharpstown Center on Saturday, May 5th. Several of the participants arrived at Denny's at 7:00 A.M. for breakfast and pre-event strategy planning. Everyone adjourned to the site of the event, near Wallgreens, at 8:00 to begin assembling antennas, running coax, and arranging equipment and literature on our work tables. When the dust finally settled, we had erected a 4 band HF vertical and a 2-meter beam on the roof and were on the air. By 5:00 P.M., 84 messages destined for 25 states and 2 foreign countries had been collected and sent on their way.

PUBLIC SERVICE ROSTER

When you participate in a Public Service Event, please tell Lloyd, WD5HEH, so he can acknowledge your participation in the newsletter. This participation is one of the ways we have of meeting our obligation of Public Service to our community and being visible to the public. I encourage all of you to volunteer your services frequently for these events as this is where the public actually hears our radios in operation and sees the effectiveness of our communications.

Harold, ND5F

ROSTER UPDATE INFORMATION

Please help keep the B-VARC Membership Roster up-to-date by telling Lloyd, WD5HEH, anytime you change your call, license class, address or phone numbers. These changes will be published in the newsletter as they are received and will appear in the revised edition of the Roster.

Horold, ND5F

ARRL SPECIAL SERVICE CLUB APPLICATION - STATUS REPORT

It was my objective to have the Brazos Valley Amateur Radio Club listed among the very first clubs in the State of Texas to be designated as an ARRL Special Service Club (SSC), but I have recently determined that our application has apparently been lost in the mail.

Volume 7, No. 6

Our application was mailed to our Affiliated Club Coordinator (ACC) on January 3, 1984 and it was received by him on January 4, 1984. The first of a four-step approval process was completed by him and he then mailed it on to our Section Manager in early January for approval.

As the weeks went by, we inquired repeatedly about the progress of our application. Each time we asked, we were assured that everything was proceeding normally and that we should hear something soon. We just recently discovered that our application was never received by our Section Manager from that January mailing.

Our ACC told me that he had a copy of our Application and that he would again send it to our Section Manager for his approval. At this writing, it has not been received, so we have decided that the most expeditious action would be to submit another application. It will be difficult to assemble another identical one and I will be asking many of you for help in putting together another package.

The four-step approval process starts with our ACC, then to the Section Manager, then to the Division Director and finally to the ARRL in Newington. We were told by our ACC that he had initially approved our application before it was lost.

I am really disappointed that B-VARC will not receive the recognition that is deserved by being among the first in the State to be designated as a SSC, because we all know that we are active and qualified. I appreciate the initial effort that was made by many of our membership and hope that I can again call on you to contribute suggestions and materials.

I will keep everyone informed of the progress and hope that I will be able to report some better news concerning our application for SSC in the July newsletter.

Harold, ND5F
SSC Coordinator

Lubel's

PRINTING & FORMS SERVICE

11320 S. Post Oak, Suite 5 Houston, Texas 77035

- ★ LETTERHEADS
- ★ ENVELOPES
- ★ NCR & OFFICE FORMS
- ★ BUSINESS CARDS
- ★ FLYERS

Call (713) 723-5828

Art-Copy

INSTANT COPY CENTER & OFFICE SUPPLIES

A Division of Lubel's Printing & Forms Service

11320 South Post Oak Road #2 Houston, Texas 77035

FEATURING THE MULTI-PURPOSE
KODAK EKTAPRINT

The Complete Copy System



- ONE SIDE 8 1/2 x 11 & 8 1/2 x 14
- TWO SIDES 8 1/2 x 11 & 8 1/2 x 14
- REDUCES 11 x 17 to 8 1/2 x 11 or 8 1/2 x 14
- COLLATES & SEPARATES
- STAPLES YOUR SETS IN ONE OR TWO POSITIONS
- COPIES FROM COLOR ORIGINALS

12c	1	50
10c	51	100
8c	101	500
6c	501	1000
4 1/2c	1001	UP

FOR YOUR CONVENIENCE WE ALSO HAVE THE ROYAL SELF-SERVE COPIER



Self-Serve

8 1/2 x 11	7c
8 1/2 x 14	
11 x 17	15c

SPECIAL COUPON

15% Discount

& Free Memo Pad

M thru F 7:30 a.m. - 5:30 p.m. Phone 713/721-4293

We make copies that look like originals, or better!

About the Brazos Valley Amateur Radio Club

First organized in 1977, the Brazos Valley Amateur Radio Club has been a gathering place for local Ham Radio Operators in Southwest Harris County, Fort Bend County and surrounding communities. Using various activities, the club has something to offer ham operators no matter what their persuasion. For prospective new amateurs, the club regularly schedules classes for those interested in obtaining their novice license. All persons; men, women and children are cordially invited to come to a meeting and see what we are all about. Meetings are held on the second Thursday of each month at the Missouri City Police Station, 2 miles south of South Main on FM 2234.

\$

PLEASE KEEP IN MIND - it's worth \$2.00 to the Club treasury if you join or renew your ARRL membership through the Club; and there's a bonus to you if you personally are over 64 or under 18. Call Lloyd Phelps WD5HEH, Club Treasurer, at 438-2088 for details.

**1351 Gentle Bend
Missouri City, Texas 77489**

ADDRESS CORRECTION REQUESTED

FIRST CLASS MAIL